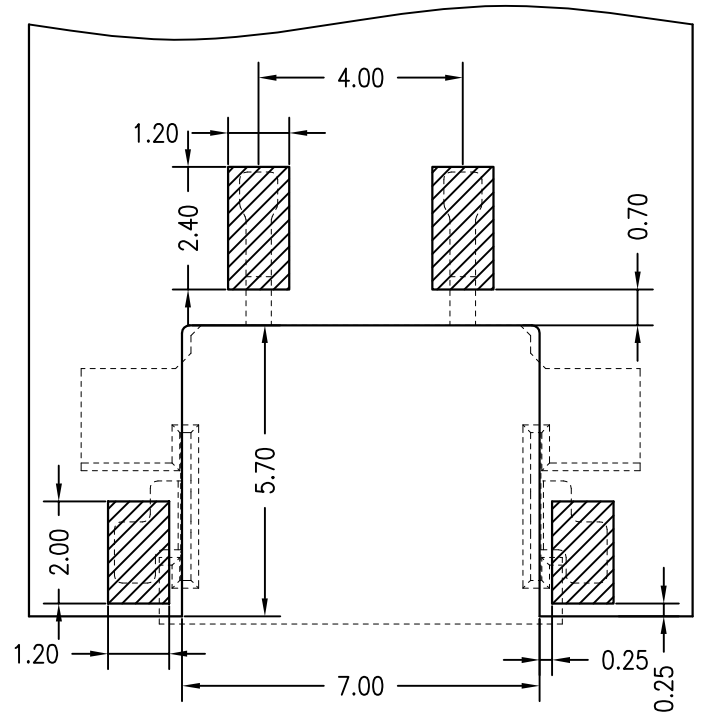
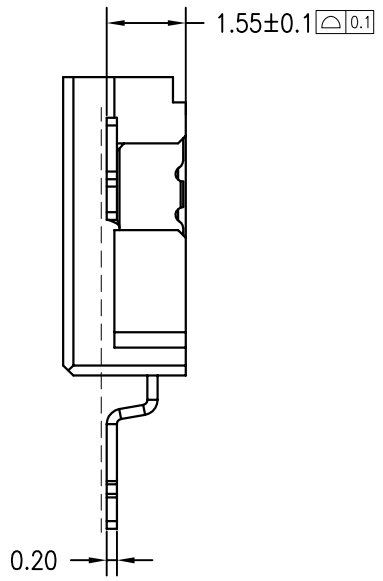
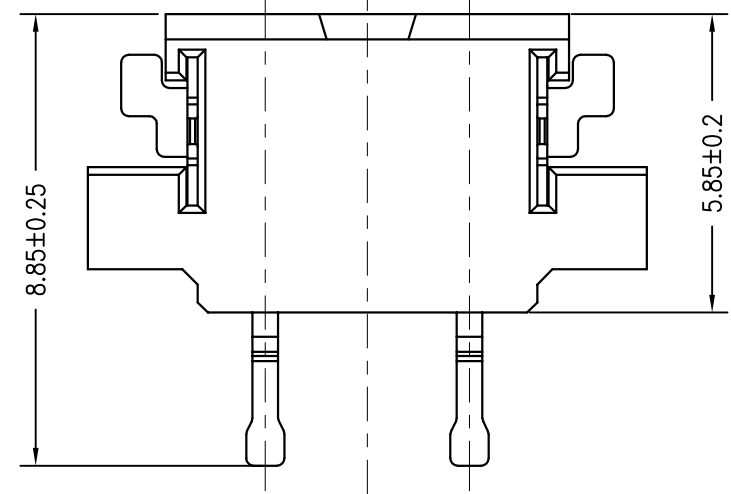
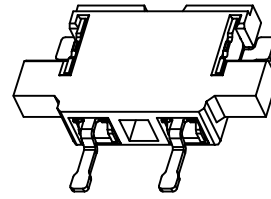
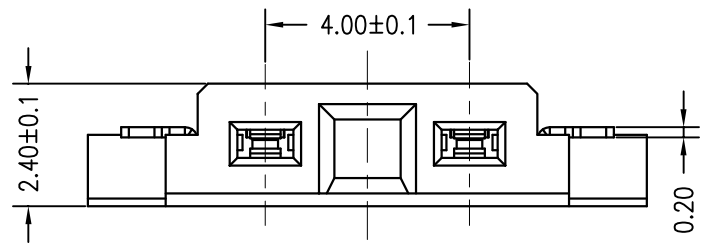


REV	ECN No.	DESCRIPTION	DESIGN	DATE
A0		Release	-	2017.03.23

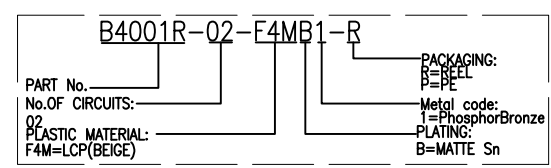


Board Layout

主要技术参数 Main Specifications

线数 (Poles): 02
 接触电阻 (Contact resistance): $\leq 30m\Omega$
 绝缘电阻 (Insulation resistance): $\geq 1000M\Omega$
 额定电压 (Rated voltage): 400V AC DC
 额定电流 (Rated current): 1.0A AC DC
 耐电压 (Withstand Voltage): 1000V AC/minute
 温度范围 (Temperature Range): $-25^{\circ}C \sim +85^{\circ}C$

ORDER INFORMATION:



C	SOLDER TAB	2 PCS	PhosphorBronze	MATTE SN
B	CONTACT	2 PCS	PhosphorBronze	MATTE SN
A	HOUSING	1 PCS	LCP	UL 94V-0, COLOR:BEIGE
ITEM	COMPONENT	Q'TY	MATERIAL	FINISH
JKUN 温州健坤接插件有限公司 WENZHOU JKUN CONNECTOR CO., LTD.				TITLE: 4.0 板对板 WAFER SMT TYPE
X.±0.5	X.±5'	USE: CUSTOMER	PART NO.:	
.X±0.3	.X±2'		B4001R-02-F4MB1-R	
.XX±0.25	.XX±1'		DWG NO.:	
--	--	APPD: 邵敬和	JKUN-GCCP-0749	
UNITS: mm		CHKD: 田峰	SCALE	SHEET
		DR: 蒋建银	1 : 1	1 / 1