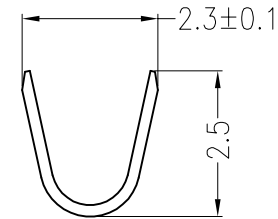
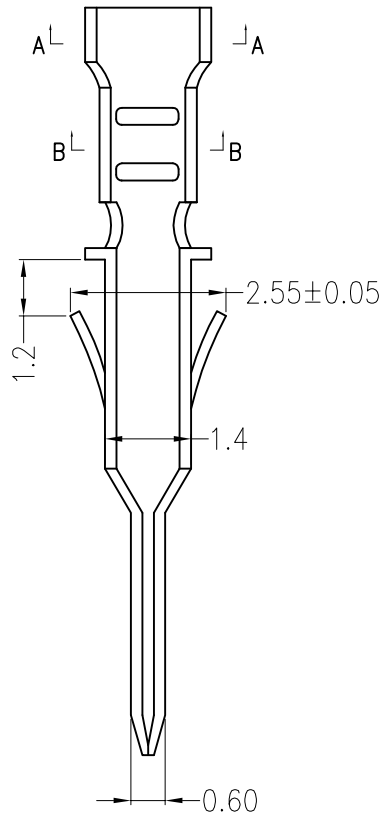
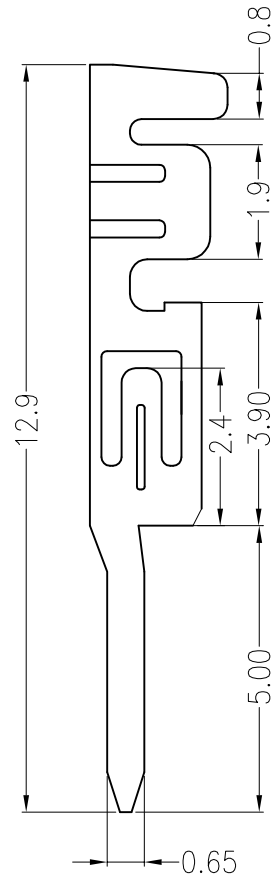
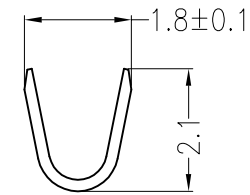


REV	ECN No.	DESCRIPTION	DESIGN	DATE
A0		Release	吴丹平	2015.07.07



A-A



B-B

Ordering Information & Specification:

Part No	Wire Range	Insulation O.D.	Material	Finish	Qty/Reel
C3001RT-PA	AWG #22~#28	1.0~1.90mm	Phosphor bronze	Sn-plated	

JKUN 温州健坤接插件有限公司 WENZHOU JKUN CONNECTOR CO., LTD.			TITLE: C3001RT	
X.±0.5	X.±5'	USE: CUSTOMER	PART NO.:	
.X±0.3	.X±2'		C3001RT-PA	
.XX±0.25	.XX±1'	APPD: 邵敬和	DWG NO.:	
--	--	CHKD: 田峰	JKUN-GCDZ-0036	
		UNITS: mm	DR: 蒋建银	SCALE 1 : 1
				SHEET 1 / 1