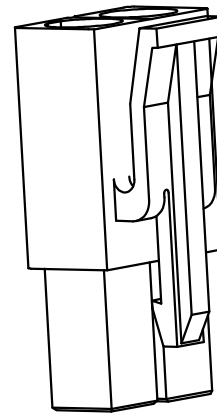
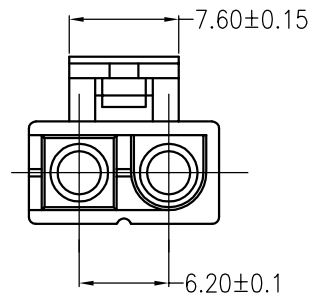
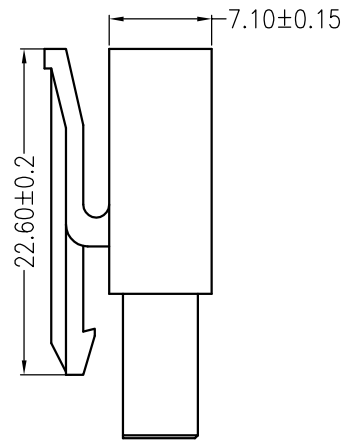
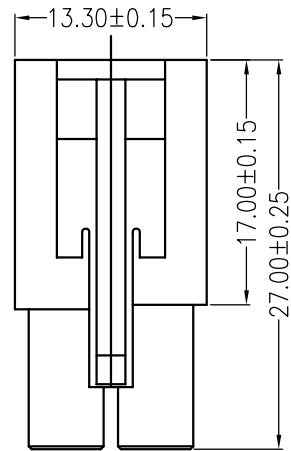
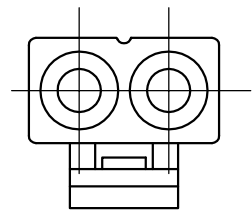


REV	ECN No.	DESCRIPTION	DESIGN	DATE
A0		NEW RELEASE	蒋建银	2019.01.17



主要技术参数 Main Specifications

线数 (Poles): 02
 额定电阻 (Contact resistance): $\leq 10m\Omega$
 绝缘电阻 (Insulation resistance): $\geq 1000M\Omega$
 额定电压 (Rated voltage): 300 V AC DC
 额定电流 (Rated current): 15A AC DC
 耐电压 (Withstand Voltage): 1800V AC/minute
 温度范围 (Temperature Range): $-25^{\circ}C \sim +85^{\circ}C$

ORDER INFORMATION:

C6201P-02-A0T-P	
PART No. _____	PACKAGING: P=PE
No. OF CIRCUITS: 02	PLASTIC MATERIAL: A0T=PA66 (Transparent)

ITEM	COMPONENT	Q'TY	MATERIAL	FINISH
C				
B				
A	HOUSING	1 PCS	PA66	COLOR:(Transparent)
JKUN 温州健坤接插件有限公司 WENZHOU JKUN CONNECTOR CO., LTD.				
TITLE: C6201P 6.2mm PITCH HOUSING				PART NO.:
X.±0.5	X.±5'	USE:	CUSTOMER	C6201P-02-A0T-P
.X±0.3	.X±2'	APPD:	邵敬和	DWG NO.:
.XX±0.25	.XX±1'	CHKD:	田峰	JKUN-GCCP-0617
--	--	DR:	蒋建银	SCALE
⊕	◁	UNITS:	mm	1 : 1
				SHEET
				1 / 1