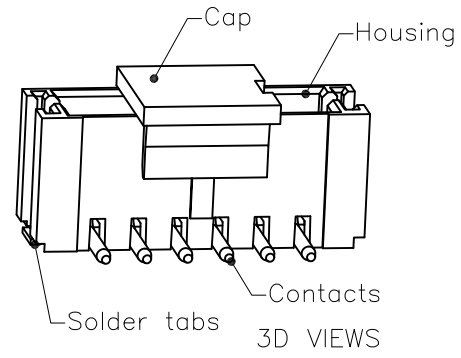
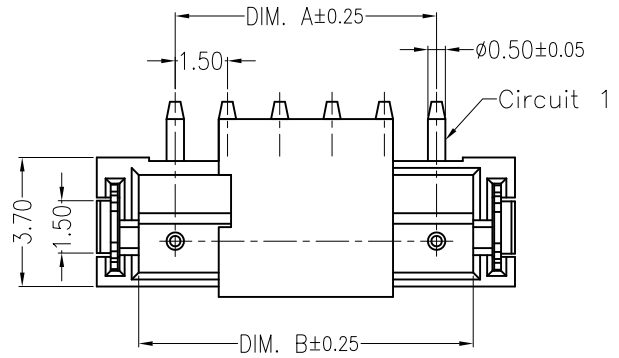
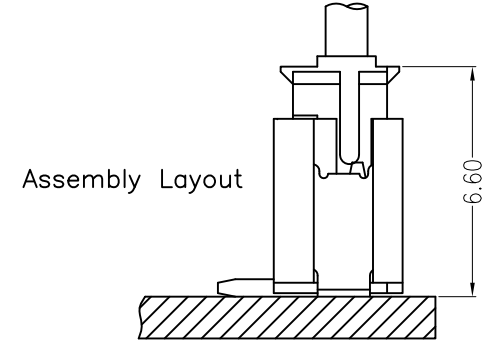
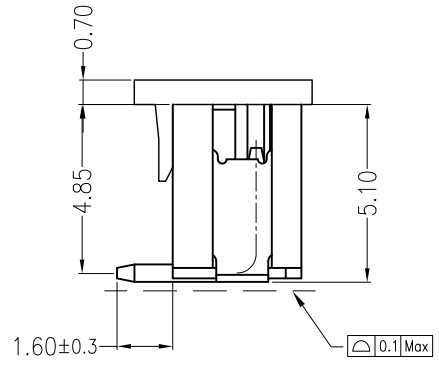
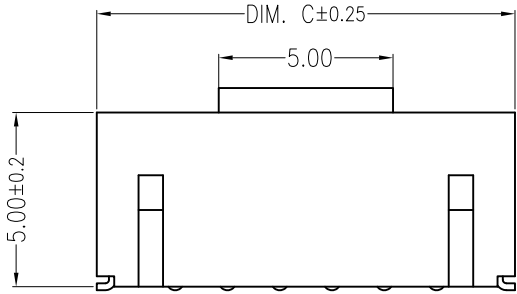
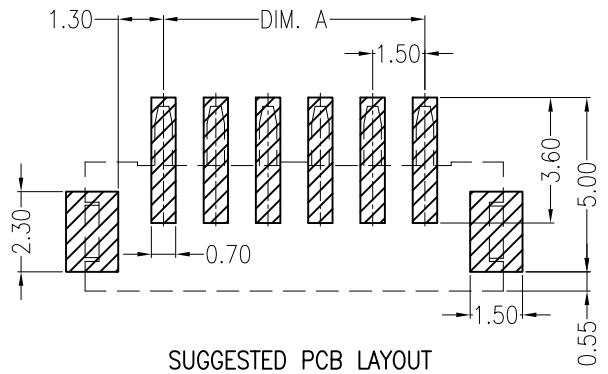
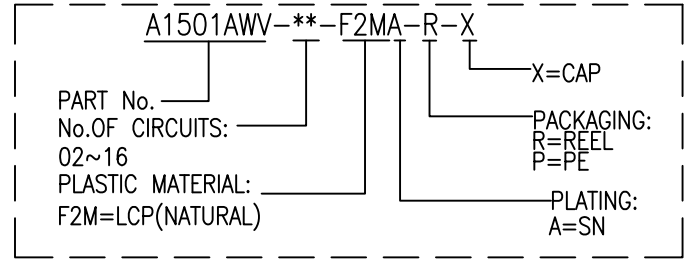


REV	DESCRIPTION	DESIGN	DATE
A0	NEW RELEASE	Wudanping	2016/05/05
A2	Change the cap	Jiangjianyin	2018/05/04



Specifications:
 Contact resistance: $\leq 20m\Omega$
 Insulation resistance: $\geq 500M\Omega$
 Rated voltage: 125V AC DC
 Rated current: 1.0A AC DC
 Withstand voltage: 500V AC/minute
 Temperature range: $-25^{\circ}C \sim +105^{\circ}C$
 Housing: LCP UL94V-0, Natural
 Cap: LCP UL94V-0, Natural
 Contacts: Brass/Sn
 Solder tabs: Phosphor bronze/Sn

ORDER INFORMATION:



Circuits	Dimensions (mm)		
	DIM. A	DIM. B	DIM. C
02	1.50	3.60	6.00
03	3.00	5.10	7.50
04	4.50	6.60	9.00
05	6.00	8.10	10.50
06	7.50	9.60	12.00
07	9.00	11.10	13.50
08	10.50	12.60	15.00
09	12.00	14.10	16.50
10	13.50	15.60	18.00
11	15.00	17.10	19.50
12	16.50	18.60	21.00
13	18.00	20.10	22.50
14	19.50	21.60	24.00
15	21.00	23.10	25.50
16	22.50	24.60	27.00

JKUN 温州健坤接插件有限公司
 WENZHOU JKUN CONNECTOR CO.,LTD.

TITLE:
 1.50mmPITCH 180°WAFER SMT TYPE

GENERAL TOLERANCE	
X. ±0.50	X. ±5°
X.X ±0.30	X.X ±2°
X.XX ±0.20	X.XX ±1°

USE: CUSTOMER
 APPD: Shaojinghe
 CHKD: Zenglingqing
 DR: Jiangjianyin

PART NO.:
 A1501AWV-**-F2MA-R-X
 DWG NO.:
 JKUN/GCKH-0519
 SCALE: 1 : 1
 SHEET: 1 / 1

