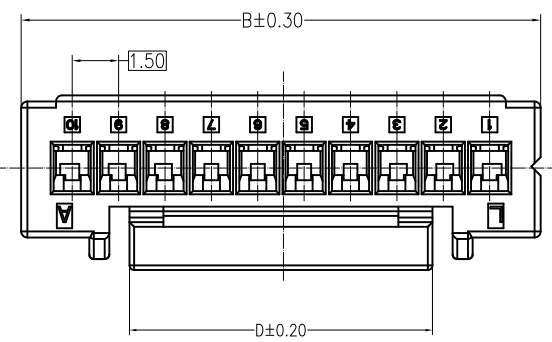
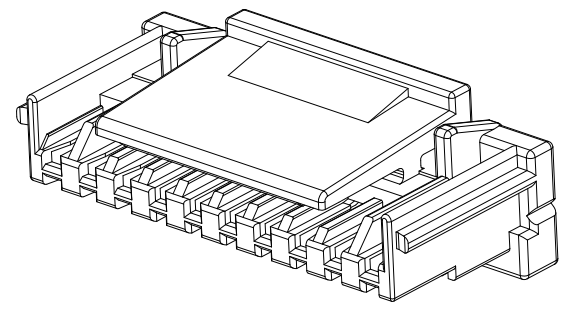


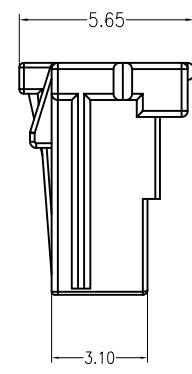
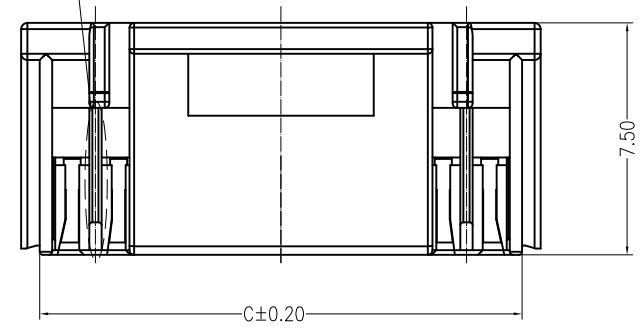
REV	DESCRIPTION	DESIGN	DATE
A	NEW RELEASE	Fangsongle	2021/03/19

**Specifications:**

Contact resistance:  $\leq 20m\Omega$   
 Insulation resistance:  $\geq 500M\Omega$   
 Rated voltage: 100V AC DC  
 Rated current: 2.0A AC DC  
 Withstand Voltage: 500V AC/minute  
 Temperature Range:  $-25^{\circ}C \sim +85^{\circ}C$   
 Housing: PA66 UL94V-0, Natural



10P以下  
无此凸台



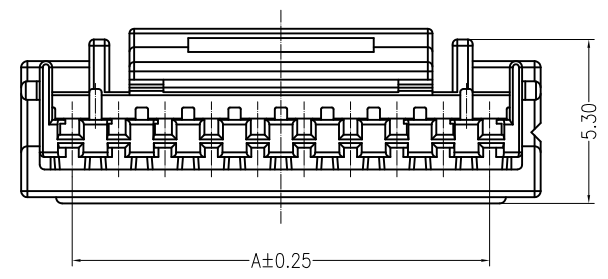
**ORDER INFORMATION:**

**A1507Y-\*\*-A7W-P**

PART No. \_\_\_\_\_  
 No.OF CIRCUITS: \_\_\_\_\_  
 02-16  
 PLASTIC MATERIAL: \_\_\_\_\_  
 A7W=PA66(BEIGE)

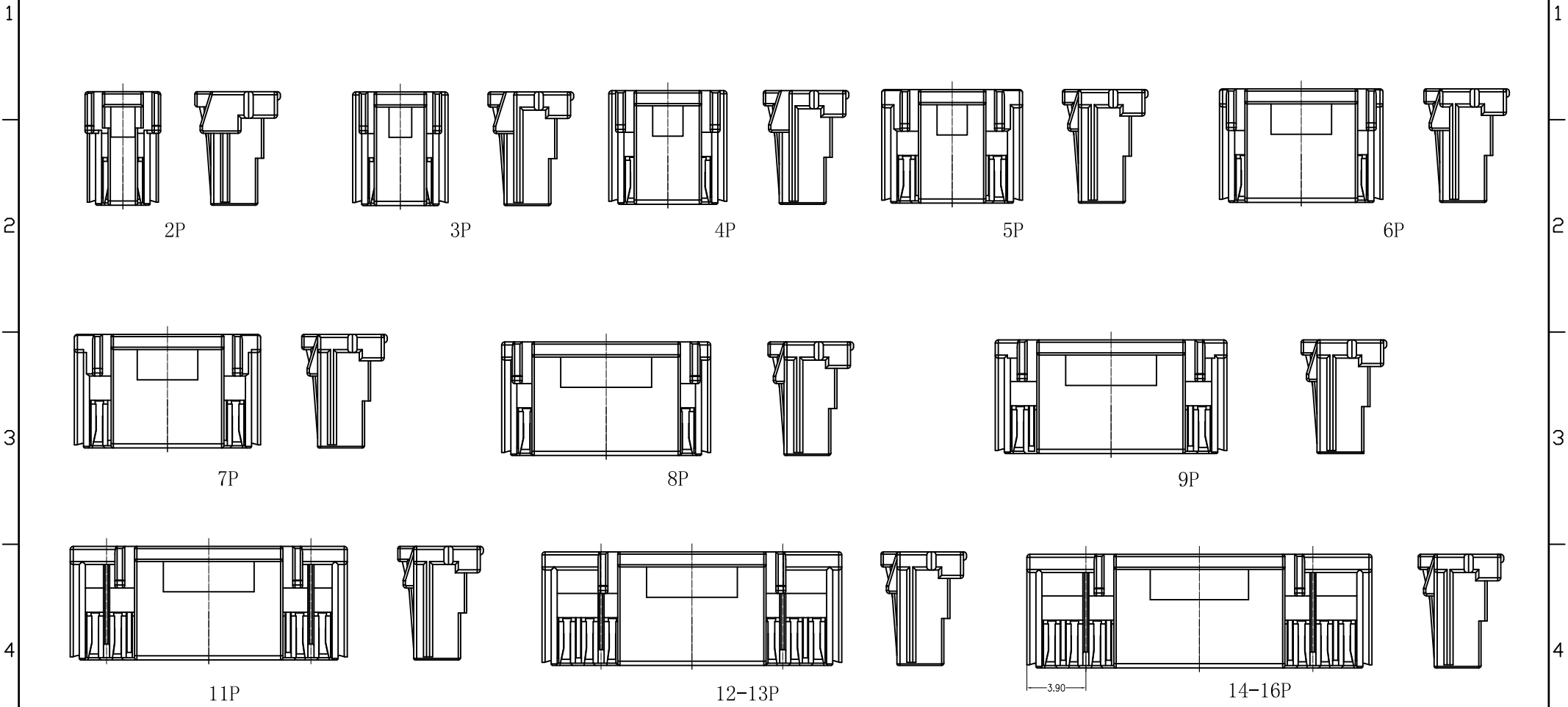
PACKAGING:  
P=PE

PIN.	DIM A	DIM B	DIM C	DIM D
2pin	1.50	5.00	3.60	2.70
3pin	3.00	6.30	5.10	3.45
4pin	4.50	7.80	6.60	4.45
5pin	6.00	9.30	8.10	4.45
6pin	7.50	10.80	9.60	7.45
7pin	9.00	12.30	11.10	7.45
8pin	10.50	13.80	12.60	9.80
9pin	12.00	15.30	14.10	9.80
10pin	13.50	16.80	15.60	9.80
11pin	15.00	18.30	17.10	9.80
12pin	16.50	19.80	18.60	9.80
13pin	18.00	21.30	20.10	11.30
14pin	19.50	22.80	21.60	11.30
15pin	21.00	24.30	23.10	11.30
16pin	21.00	25.80	24.60	11.30



<b>JKUN</b> 温州健坤接插件有限公司 WENZHOU JKUN CONNECTOR CO.,LTD.		TITLE: 1.5mm housing	
GENERAL TOLERANCE		USE: CUSTOMER	
X. ±0.50	X. ±5°	APPD: Shaojinghe	
X.X ±0.30	X.X ±2°	CHKD: Zenglingqing	
X.XX ±0.20	X.XX ±1°	DR: Fangsongle	
UNITS: mm		PART NO.: A1507Y-**-A7W-P	
		DWG NO.: JKUN-GCKH-0910	
		SCALE 1 : 1	SHEET 1 / 2

REV	DESCRIPTION	DESIGN	DATE
A	NEW RELEASE	Fangsongle	2021/03/19



<b>JKUN</b> 温州健坤接插件有限公司 WENZHOU JKUN CONNECTOR CO.,LTD.		TITLE: 1.5mm housing	
GENERAL TOLERANCE		USE: CUSTOMER	PART NO.:
X. ±0.50	X. ±5°	APPD: Shaojinghe	A1507Y-**-A7W-P
X.X ±0.30	X.X ±2°	CHKD: Zenglingqing	DWG NO.:
X.XX ±0.20	X.XX ±1°	DR: Fangsongle	JKUN-GCKH-0910
UNITS: mm		SCALE 1 : 1	SHEET 2 / 2