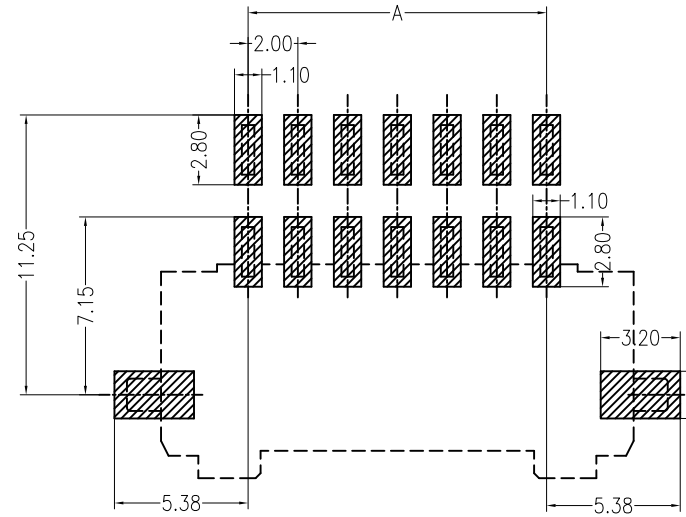
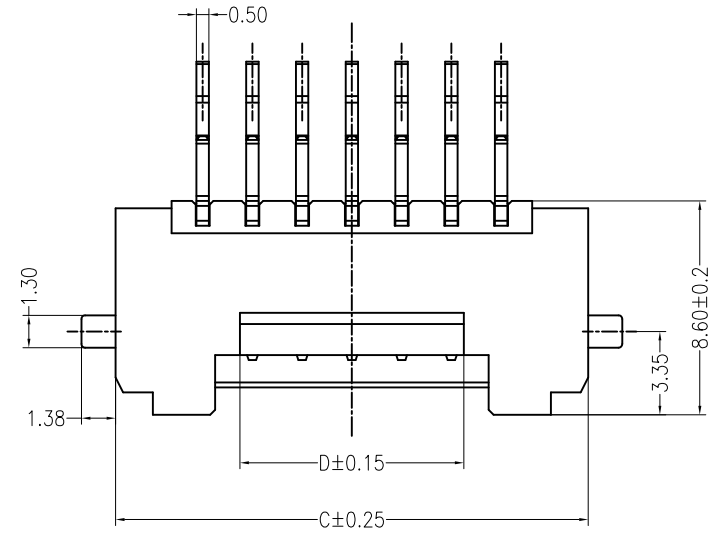
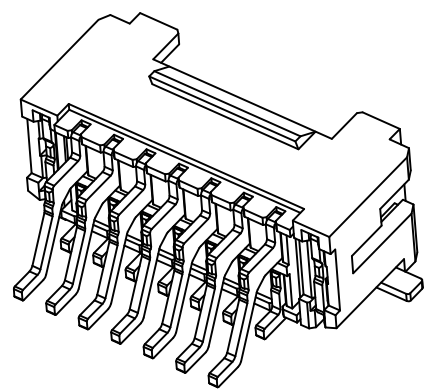
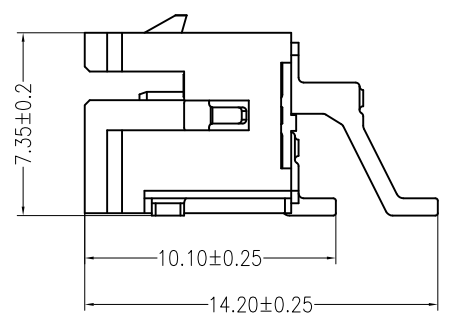
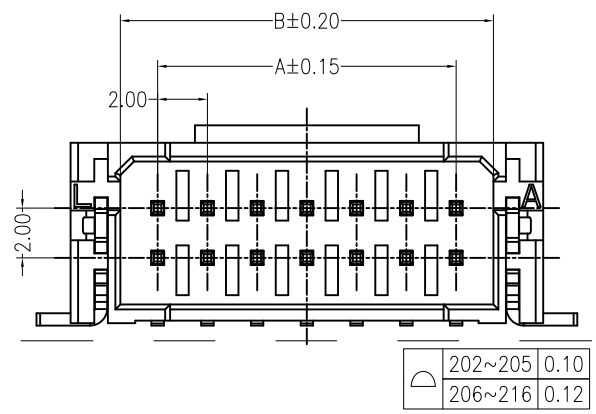


REV	DESCRIPTION	DESIGN	DATE
A0	NEW RELEASE	Lingqing	2019/11/06



Specifications:
 Contact resistance: $\leq 30m\Omega$
 Insulation resistance: $\geq 1000M\Omega$
 Rated voltage: 250V AC DC
 Rated current: 3.0A AC DC
 Withstand Voltage: 1000V AC/minute
 Temperature Range: $-25^{\circ}C \sim +85^{\circ}C$
 Housing: LCP UL94V-0, BEIGE
 Contacts: Brass/MATTE Sn-plated
 Solder Tabs: Brass/MATTE Sn-plated

PCB LAYOUT(Tolerance: ± 0.05)



Circuits	Dimensions (mm)			
	A	B	C	D
202 (2X2)	2.00	5.00	9.00	3.00
203 (2X3)	4.00	7.00	11.00	3.00
204 (2X4)	6.00	9.00	13.00	3.00
205 (2X5)	8.00	11.00	15.00	5.00
206 (2X6)	10.00	13.00	17.00	7.00
207 (2X7)	12.00	15.00	19.00	9.00
208 (2X8)	14.00	17.00	21.00	11.00
209 (2X9)	16.00	19.00	23.00	13.00
210 (2X10)	18.00	21.00	25.00	15.00
211 (2X11)	20.00	23.00	27.00	17.00
212 (2X12)	22.00	25.00	29.00	19.00
*213 (2X13)	24.00	27.00	31.00	21.00
214 (2X14)	26.00	29.00	33.00	23.00
215 (2X15)	28.00	31.00	35.00	25.00
*216 (2X16)	30.00	33.00	37.00	27.00

ORDER INFORMATION:

A2004AWR-2-F4MB3-R**

PART No. _____
 No. OF CIRCUITS: _____
 PLASTIC MATERIAL: _____
 F4M=LCP

PACKAGING: R=REEL
 Metal code: 3=Brass
 PLATING: B=MATTE Sn

JKUN 温州健坤接插件有限公司
 WENZHOU JKUN CONNECTOR CO.,LTD.

GENERAL TOLERANCE: X. ± 0.50 , X.X ± 0.30 , X.XX ± 0.20
 X. $\pm 5^{\circ}$, X.X $\pm 2^{\circ}$, X.XX $\pm 1^{\circ}$

USE: CUSTOMER
 APPD: Liuzhengling
 CHKD: Steven
 DR: Zenglingqing

TITLE: 2.0 Pitch Wafer 90° SMT
 PART NO.: A2004AWR-2**-F4MB3-R
 DWG NO.: JKUN-GCKH-0837
 SCALE: 1 : 1
 SHEET: 1 / 1