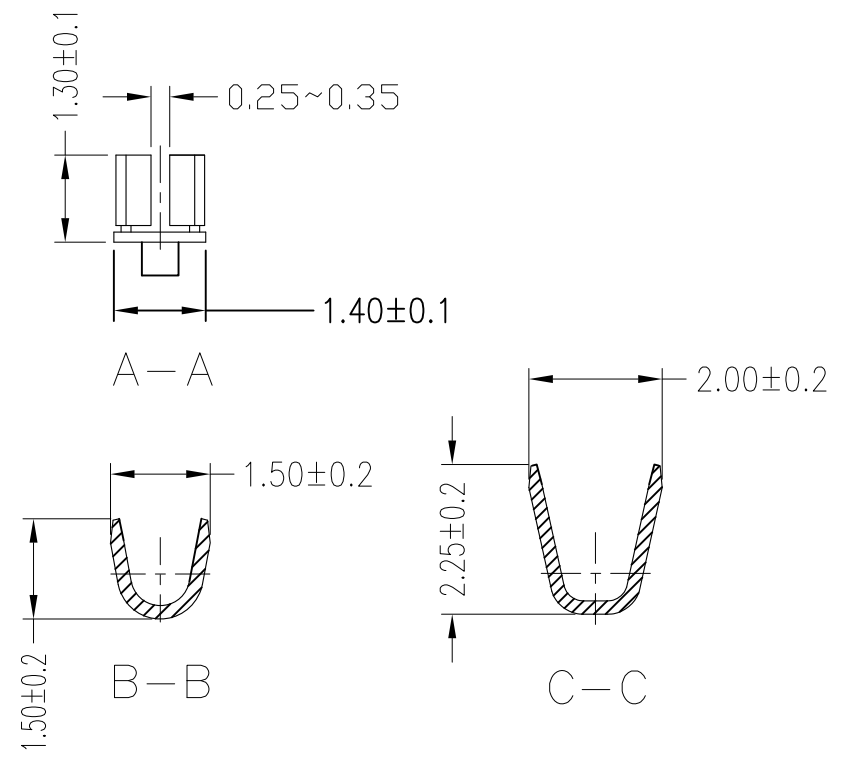
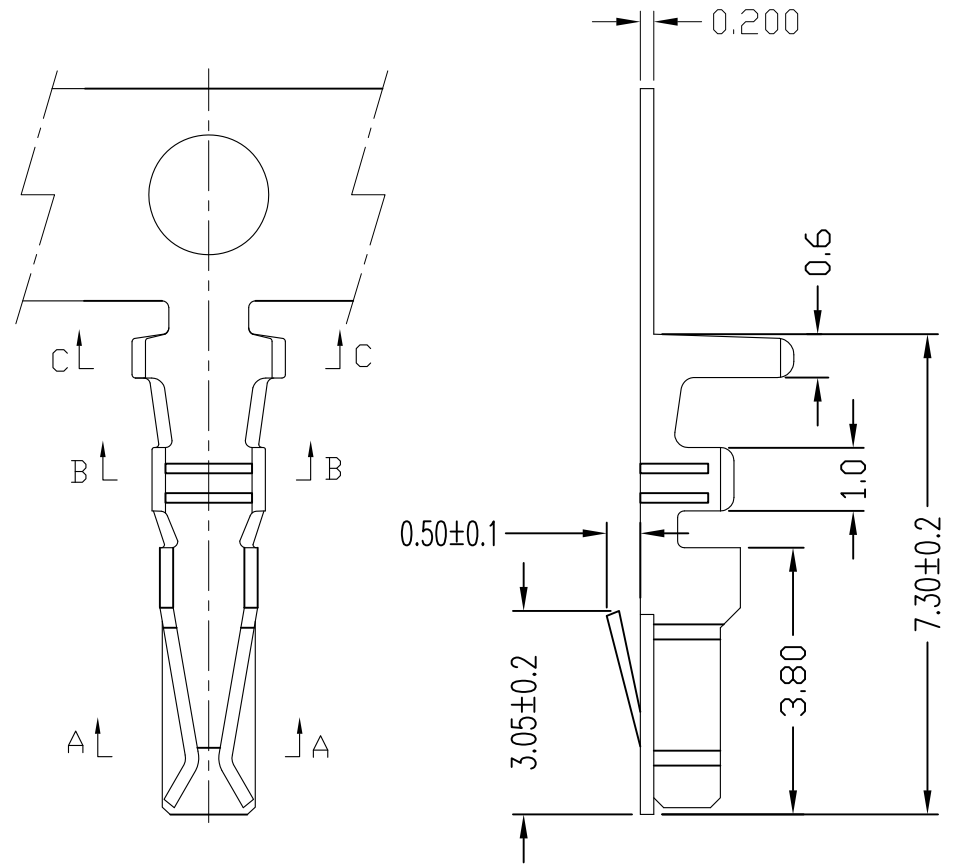


REV	ECN No.	DESCRIPTION	DESIGN	DATE
A0			吴丹平	2018.02.10



Ordering Information & Specification:

Part No	Wire Range	Insulation O.D.	Material	Finish	Qty/Reel
A2004T-03端子	AWG #22~#28	1.80mm(max)	Phosphor bronze	Tin-plated	

JKUN 温州健坤接插件有限公司 WENZHOU JKUN CONNECTOR CO.,LTD.		TITLE: - 高脚	
X.±0.3		USE: MANUFACTURE	PART NO.: A2004T-03端子
.X±0.2	.X±3'	APPD: 邵敬和	DWG NO.: JKUN-GCDZ-0078
.XX±0.1		CHKD: 田峰	SCALE 1 : 1
.XXX±0.05		DR: 吴丹平	SHEET 1 / 1
UNITS: mm			