

REV	DESCRIPTION	DESIGN	DATE
A	NEW RELEASE	Lingqing	2020/11/04

Specifications:

Contact resistance: $\leq 10\text{m}\Omega$
 Insulation resistance: $\geq 1000\text{M}\Omega$
 Rated voltage: 150V AC DC
 Rated current: 1.0A AC DC
 Withstand Voltage: 800V AC/minute
 Temperature Range: $-25^{\circ}\text{C} \sim +85^{\circ}\text{C}$
 Housing: LCP UL94V-0, Natural (Beige)
 Cap: LCP UL94V-0, Natural (Beige)
 Contacts: Phosphor bronze/Sn-plated
 Solder Tabs: Brass/Sn-plated

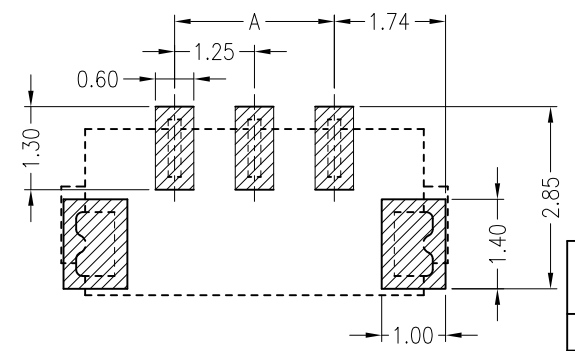
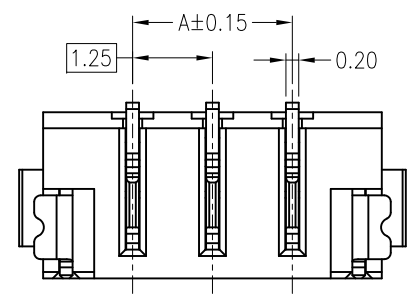
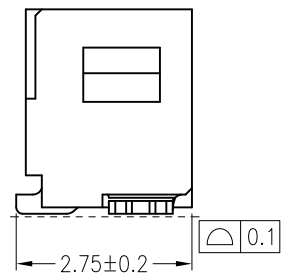
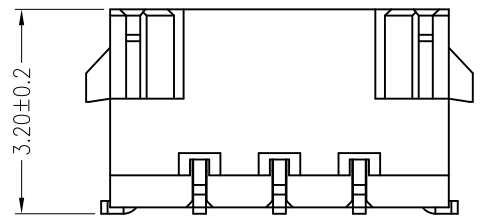
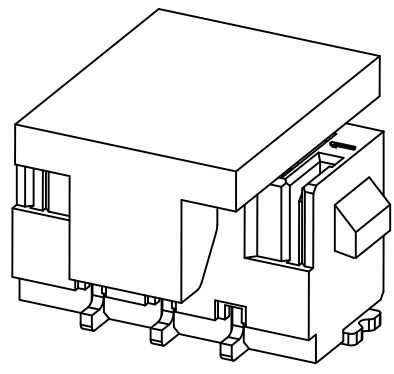
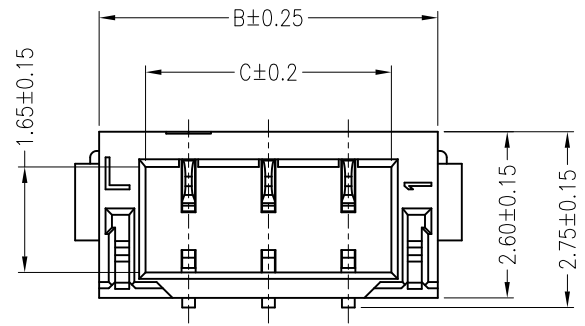
Circuits	Dimensions (mm)		
	A	B	C
02	1.25	4.05	2.60
03	2.50	5.30	3.85
04	3.75	6.55	5.10
05	5.00	7.80	6.35
06	6.25	9.05	7.60
07	7.50	10.30	8.85
08	8.75	11.55	10.10
09	10.00	12.80	11.35
10	11.25	14.05	12.60

ORDER INFORMATION:

A12511AWV-**-F3MA1-R-X

PART No. _____
 No. OF CIRCUITS: _____
 02~10
 PLASTIC MATERIAL: _____
 F3M=LCP(BEIGE)

SPECIAL CODE:
 X=Cap
 PACKAGING:
 R=REEL
 Metal code:
 1=Phosphor Bronze
 PLATING:
 A=Sn-plated



SUGGESTED PCB LAYOUT

JKUN 温州健坤接插件有限公司
 WENZHOU JKUN CONNECTOR CO.,LTD.

TITLE: 1.25 Pitch Wafer 180° SMT

GENERAL TOLERANCE	USE:	PART NO.:
X. ± 0.50	CUSTOMER	A12511AWV-**-F3MA1-R-X
X.X ± 0.30	APPD: WangFeng	DWG NO.:
X.XX ± 0.20	CHKD: Shaojinghe	JKUN-GCKH-0891
UNITS: mm	DR: Zenglingqing	SCALE: 1 : 1
		SHEET: 1 / 1