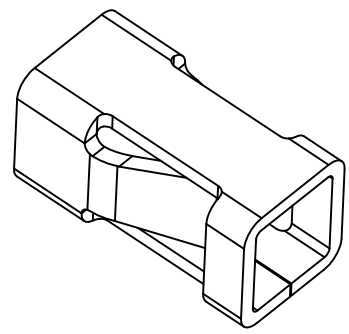
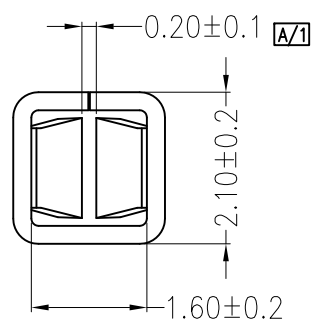
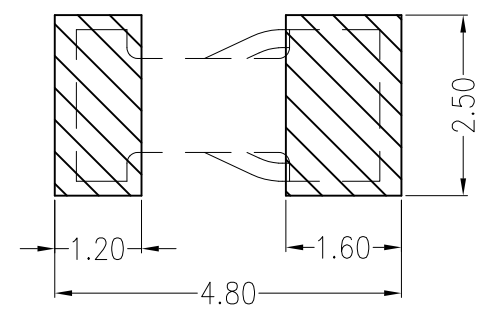
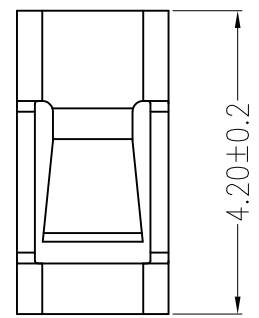
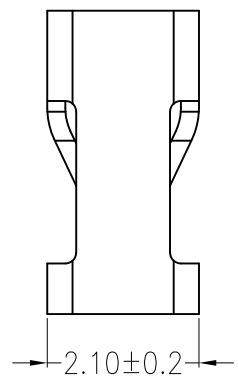


REV	DESCRIPTION	DESIGN	DATE
A0	Release	吴丹平	2016.04.30
A/1	增加管控开口尺寸	曾令青	2018.08.22

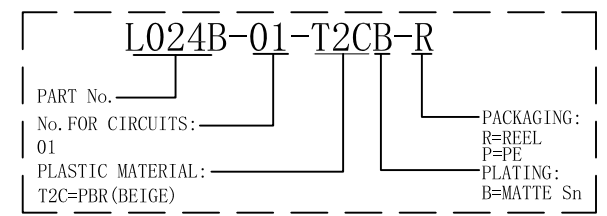


主要技术参数 Main Specifications

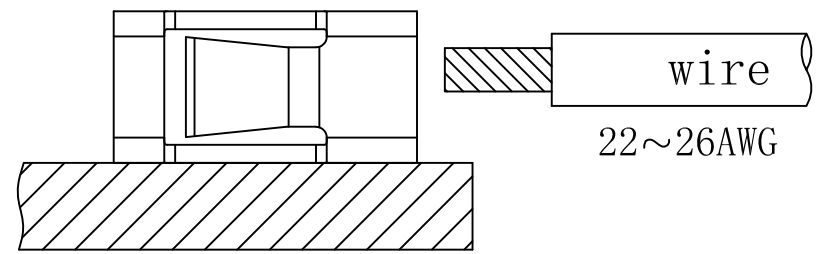
线数 (Poles): 01
 接触电阻 (Contact resistance): $\leq 20m\Omega$
 绝缘电阻 (Insulation resistance):
 额定电压 (Rated voltage): 250 V AC DC
 额定电流 (Rated current): 2.0A AC DC
 耐电压 (Withstand Voltage):
 温度范围 (Temperature Range):



ORDER INFORMATION:



Board Layout



Assembly Layout

ITEM	COMPONENT	Q'TY	MATERIAL	FINISH
A	CONTACT	1 PCS	PhosphorBronze	MATTE Sn-plated

JKUN 温州健坤接插件有限公司 WENZHOU JKUN CONNECTOR CO., LTD.			TITLE: -	
X.±0.5	X.±5'	USE: CUSTOMER	PART NO.: L024B-01-T2CB-R	
.X±0.3	.X±2'		DWG NO.: JKUN/GCCP-0301	
.XX±0.25	.XX±1'	APPD: 邵敬和	SCALE 1 : 1	
--	--	CHKD: 田峰	SHEET 1 / 1	
UNITS: mm		DR: 蒋建银		