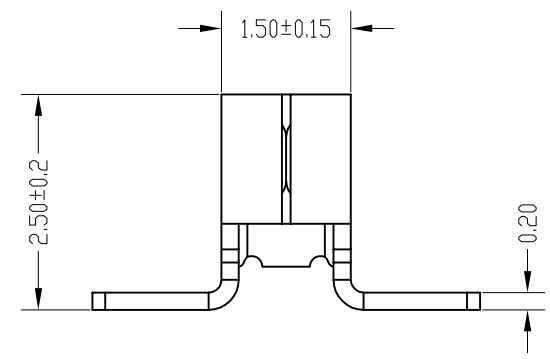
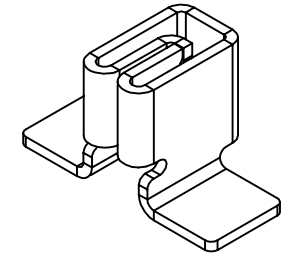
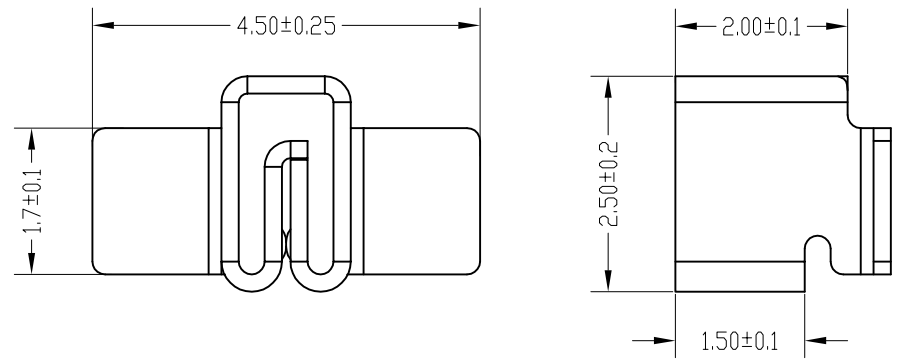


A B C D

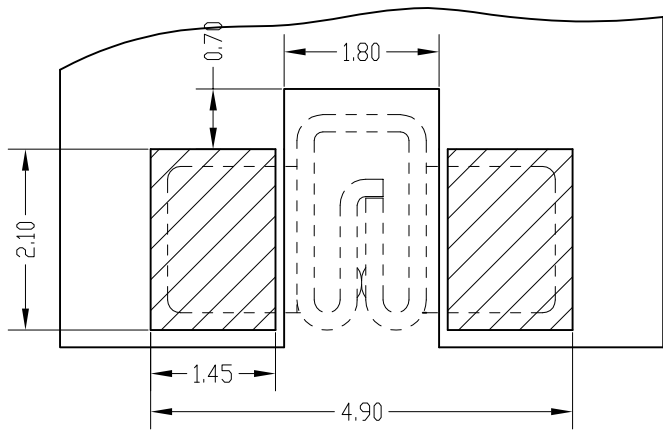
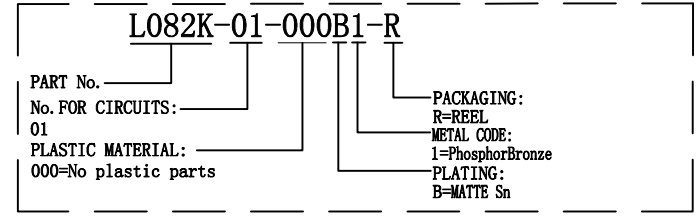
REV	ECN No.	DESCRIPTION	DESIGN	DATE
A0		Release		2018.05.18



主要技术参数 Main Specifications

板 厚 (thickness): 1.0mm
 接触电阻 (Contact resistance): $\leq 20m\Omega$
 额定电压 (Rated voltage): 275V AC DC
 额定电流 (Rated current): 1.0A AC
 温度范围 (Temperature Range) : -45°C ~ +125°C

ORDER INFORMATION:



Board Layout

A B C D

C				
B				
A	CONTACT	1 PCS	PhosphorBronze	MATTE Sn-plated
ITEM	COMPONENT	Q'TY	MATERIAL	FINISH
JKUN 温州健坤接插件有限公司 WENZHOU JKUN CONNECTOR CO., LTD.				TITLE: L082K
X.±0.5	X.±5'	USE:	PART NO.:	
.X±0.3	.X±2'	CUSTOMER	L082K-01-000B1-R	
.XX±0.25	.XX±1'	APPD: 蒋建银	DWG NO.:	
--	--	CHKD: 田峰	JKUN-GCKH-1178	
⊕	UNITS: mm	DR: 邵敬和	SCALE	SHEET
			1 : 1	1 / 1

D E F