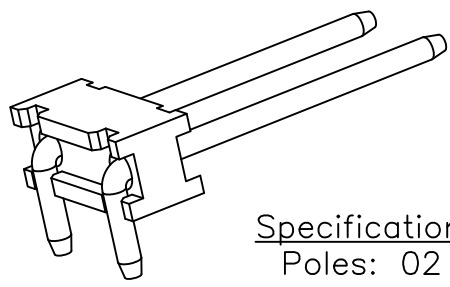
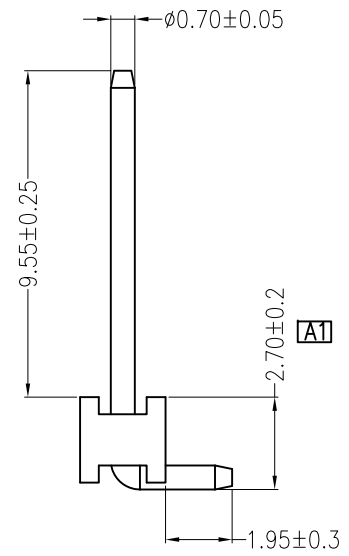
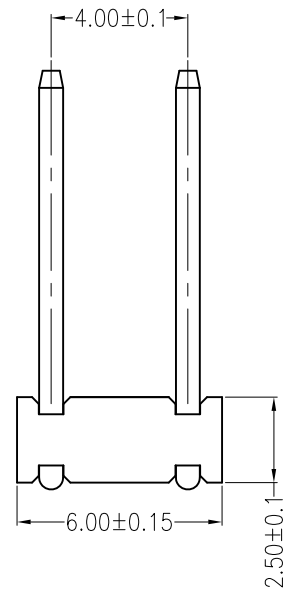
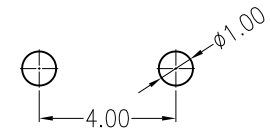
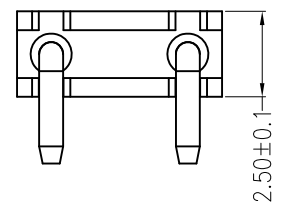


REV	DESCRIPTION	DESIGN	DATE
A0	NEW RELEASE	吴丹平	2015/10/23
A1	按当前机台可管控精度更改公差	Jiangjanyin	2019/08/17



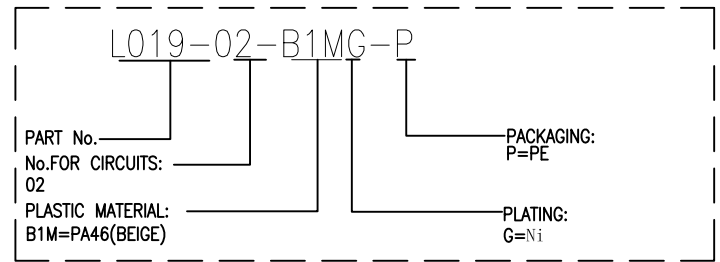
Specifications:

- Poles: 02
- Contact resistance: $\leq 20m\Omega$
- Insulation resistance: $\geq 1000M\Omega$
- Rated voltage: 250V AC DC
- Rated current: 2.0A AC DC
- Withstand Voltage: 2000V AC/minute
- Temperature Range: $-40^{\circ}C \sim +110^{\circ}C$
- Housing: PA46 UL94V-0, Natural (Beige)
- Contacts: Brass/Ni-plated



SUGGESTED PCB LAYOUT
(COMPONENT SIDE)

ORDER INFORMATION:



JKUN 温州健坤接插件有限公司 WENZHOU JKUN CONNECTOR CO.,LTD.		TITLE: -	
GENERAL TOLERANCE		USE: CUSTOMER	PART NO.:
X. ±0.50	X. ±5°	APPD: Liuzhenling	L019-02-B1MG-P
X.X ±0.30	X.X ±2°	CHKD: Wangliang	DWG NO.:
X.XX ±0.20	X.XX ±1°	DR: Jiangjanyin	JKUN-GCKH-0036
		UNITS: mm	SCALE 1 : 1
			SHEET 1 / 1